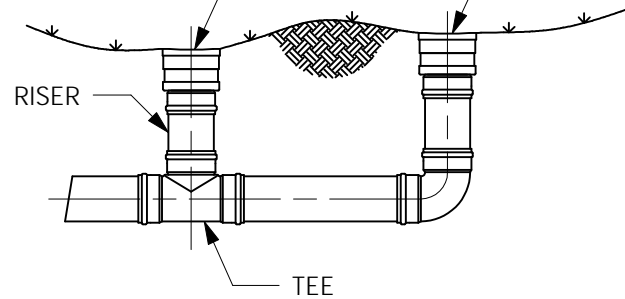


WHEN ARE INLINE DRAINS USED?

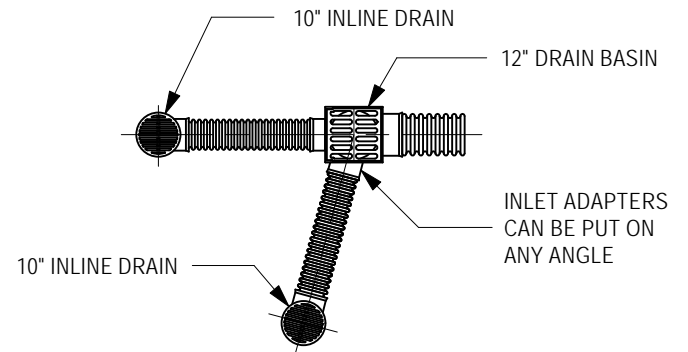
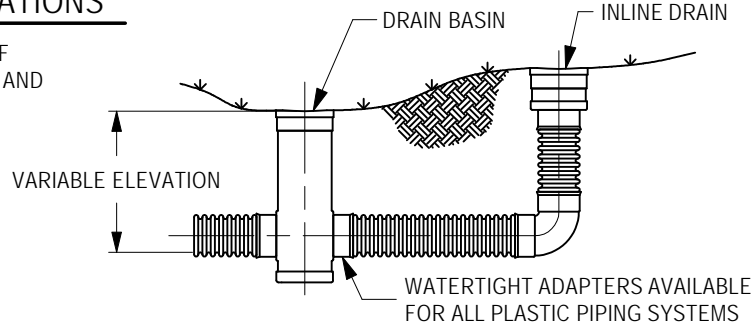
THE INLINE DRAIN CAN BE USED TO ENTER AN EXISTING LINE BY USE OF A RISER AND A TEE

THE INLINE DRAIN CAN BE USED AT THE BEGINNING OF A DRAIN LINE



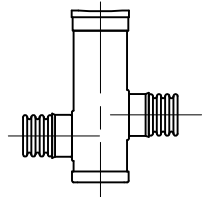
TYPICAL INSTALLATIONS

TYPICAL INSTALLATION OF NYLOPLAST DRAIN BASIN AND INLINE DRAIN

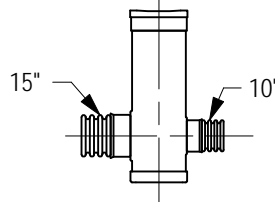


WHEN ARE DRAIN BASINS USED?

1: CHANGE ELEVATION

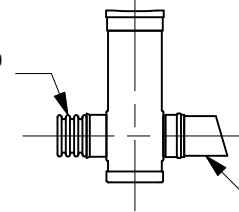


2: CHANGE DIAMETER

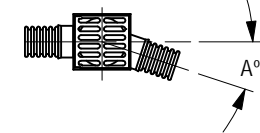


3: CHANGE PIPE

CORRUGATED POLY PIPE



4: CHANGE DIRECTION



AVAILABLE IN SIZES 8" THROUGH 30".
ADAPT TO PIPE SIZES 4" THROUGH 30".

THIS PRINT DISCLOSES SUBJECT MATTER IN WHICH NYLOPLAST HAS PROPRIETARY RIGHTS. THE RECEIPT OR POSSESSION OF THIS PRINT DOES NOT CONFER, TRANSFER, OR LICENSE THE USE OF THE DESIGN OR TECHNICAL INFORMATION SHOWN HEREIN REPRODUCTION OF THIS PRINT OR ANY INFORMATION CONTAINED HEREIN, OR MANUFACTURE OF ANY ARTICLE HEREFROM, FOR THE DISCLOSURE TO OTHERS IS FORBIDDEN, EXCEPT BY SPECIFIC WRITTEN PERMISSION FROM NYLOPLAST.

DRAWN BY	AWA	MATERIAL	
DATE	10AUG00	PROJECT NO./NAME	
APPD BY	CJA	DRAIN BASIN / INLINE DRAIN	
DATE	10AUG00		
DWG SIZE	A	SCALE	1:90 SHEET 1 OF 1

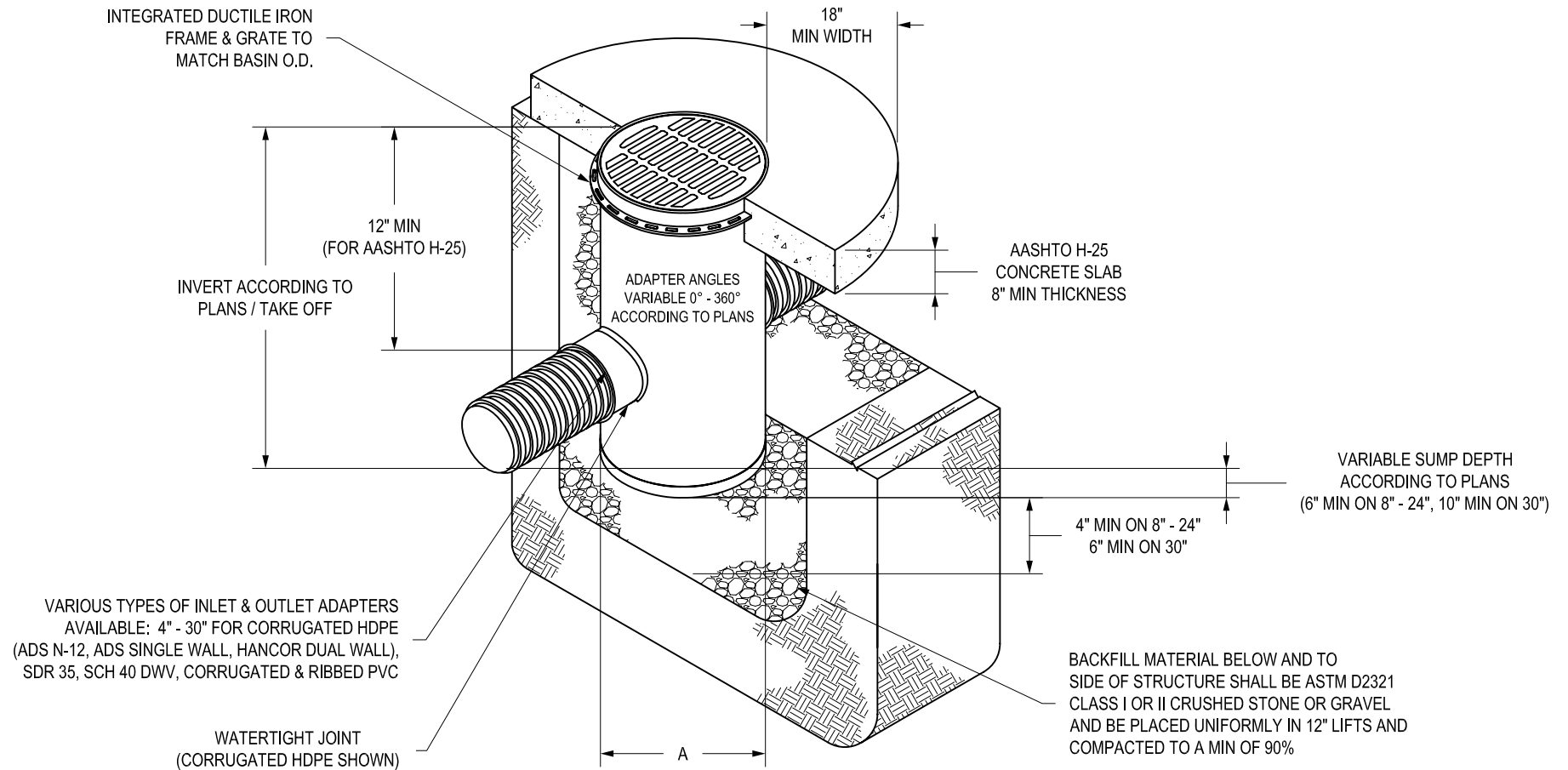


3130 VERONA AVE
BUFORD, GA 30518
PHN (770) 932-2443
FAX (770) 932-2490
www.nyloplast-us.com

TITLE
8" - 30" TYPICAL INSTALLATION OPTIONS

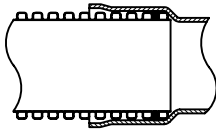
DWG NO. 7001-110-042 REV B

NYLOPLAST DRAIN BASIN



VARIOUS TYPES OF INLET & OUTLET ADAPTERS AVAILABLE: 4" - 30" FOR CORRUGATED HDPE (ADS N-12, ADS SINGLE WALL, HANCOR DUAL WALL), SDR 35, SCH 40 DWV, CORRUGATED & RIBBED PVC

WATERTIGHT JOINT (CORRUGATED HDPE SHOWN)




- 1- 8" - 30" GRATES/SOLID COVERS SHALL BE DUCTILE IRON PER ASTM A536 GRADE 70-50-05
- 2- 8", 10", 18", 24" & 30" FRAMES SHALL BE DUCTILE IRON PER ASTM A536 GRADE 70-50-05
- 3- 12" & 15" FRAMES SHALL BE CAST IRON PER ASTM A-48-83 CLASS 30B
- 4- DRAIN BASIN TO BE CUSTOM MANUFACTURED ACCORDING TO PLAN DETAILS
- 5- DRAINAGE CONNECTION STUB JOINT TIGHTNESS SHALL CONFORM TO ASTM D3212 FOR CORRUGATED HDPE (ADS & HANCOR DUAL WALL) & SDR 35 PVC
- 6- FOR COMPLETE DESIGN AND PRODUCT INFORMATION: WWW.NYLOPLAST-US.COM
- 7- TO ORDER CALL: 800-821-6710

A	PART #	GRATE OPTIONS		
8"	2808AG	PEDESTRIAN LIGHT DUTY	STANDARD LIGHT DUTY	SOLID LIGHT DUTY
10"	2810AG	PEDESTRIAN LIGHT DUTY	STANDARD LIGHT DUTY	SOLID LIGHT DUTY
12"	2812AG	PEDESTRIAN AASHTO H-10	STANDARD AASHTO H-25	SOLID AASHTO H-25
15"	2815AG	PEDESTRIAN AASHTO H-10	STANDARD AASHTO H-25	SOLID AASHTO H-25

A	PART #	GRATE OPTIONS		
18"	2818AG	PEDESTRIAN AASHTO H-10	STANDARD AASHTO H-25	SOLID AASHTO H-25
24"	2824AG	PEDESTRIAN AASHTO H-10	STANDARD AASHTO H-25	SOLID AASHTO H-25
30"	2830AG	N/A	STANDARD AASHTO H-25	SOLID AASHTO H-25

DRAWN BY	EBC	MATERIAL
DATE	1-23-06	
APPD BY	CJA	PROJECT NO./NAME
DATE	1-23-06	
DWG SIZE	A	SCALE NTS SHEET 1 OF 1



Nyloplast

3130 VERONA AVE
 BUFORD, GA 30518
 PHN (770) 932-2443
 FAX (770) 932-2490
www.nyloplast-us.com

TITLE
 DRAIN BASIN WITH STANDARD GRATE
 QUICK SPEC INSTALLATION DETAIL

DWG NO. 7001-110-144
REV A