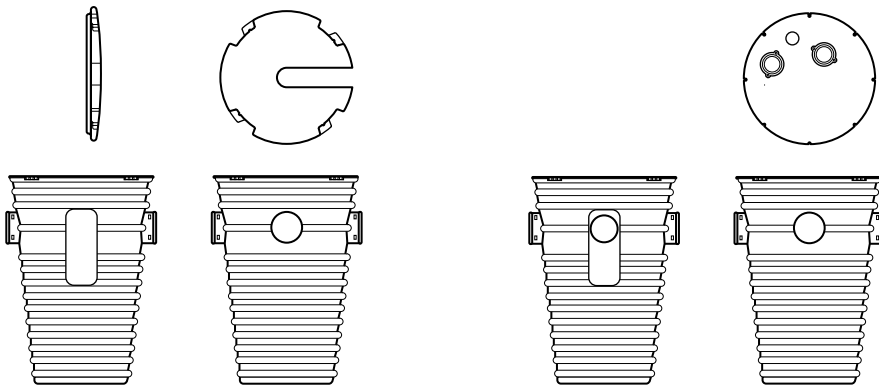


FOUNDATION DRAINAGE PRODUCTS

FOUNDATION DRAINAGE PRODUCTS

DESCRIPTION	DIMENSIONS	PRODUCT CODE
14 gal. (53L) Sump Pump Well	18" diameter x 24" length (450mm x 600mm)	CA SW4 18 0000
19 gal. (72L) Sump Pump Well	18" diameter x 30" length (450mm x 750mm)	CA SWO 18 0000
Solid Sump Pump Lid	18" diameter (450mm)	CA LWO 18 0000
Notched Sump Pump Lid	18" diameter (450mm)	CA LWN 18 0000
Radon Dual Purpose Vented Sump Well	18" diameter x 24" length (450mm x 600mm)	CA SWR 18 0000
Lid Kit for Sewage Ejector Sump and Radon Vented Sump	18" diameter (450mm)	CA RWL 00 0000
1-1/4" (31.75mm) Diameter Sump Hose Kit	24' (7m) hose	MR SDK 00 0000
1-1/2" (37.5mm) Diameter Sump Hose Kit	24' (7m) hose	MR SDK 15 0000



SUMP PUMP & NOTCHED LID

RADON DUAL PURPOSE VENTED SUMP AND LID